

Interface Relays

I1-T Triac Output (1.2A 1/NO)

Relays with triac output 1,2 A / 400 V AC
 35 mm DIN rail mounting, EN 50022; screw terminals 0.2 - 4 mm²
 Interconnection strips type I1C-20 available



Triac - output

Max. switching voltage	AC	400 V
Min. switching voltage	AC	20 V
Rated load	AC 1	1,2 A / 400 V AC
Min. switching current		8 mA
Non-rep. surge current		30 A $t=20$ ms
Rated current		1,2 A
I ² t for fusing		5,1 A ² s $t=1-10$ ms
dI/dt		50 A/ μ s
dV/dt		40 V/ μ s
R _{th} junction to ambient		70 °C/W

Input specifications

Rated voltage	DC	5...32 V
	AC/DC	24-230 V
Turn-off voltage		AC: $\geq 0.2 U_n$ DC: $\geq 0.1 U_n$
Rated power consumption		0,3 W 5...32 V DC at 24 V
		0,3 W/V A 24 V AC/DC
		1,6 W/V A 230 V AC/DC

Insulation

Insulation category	C250
Insulation rated voltage	600 V AC
Rated insulation voltage I/O	4 000 V AC

General data

Operating time	10 ms max. - zero turn-on
Release time	10 ms max.
Dimensions (L x W x H)	80 x 6,2 x 93,8 mm
Weight	40 g
Ambient temperature:	
Ä storing	-40...+70 °C
Ä operating	-40...+55 °C
Protection category	IP 20

Interface Relays

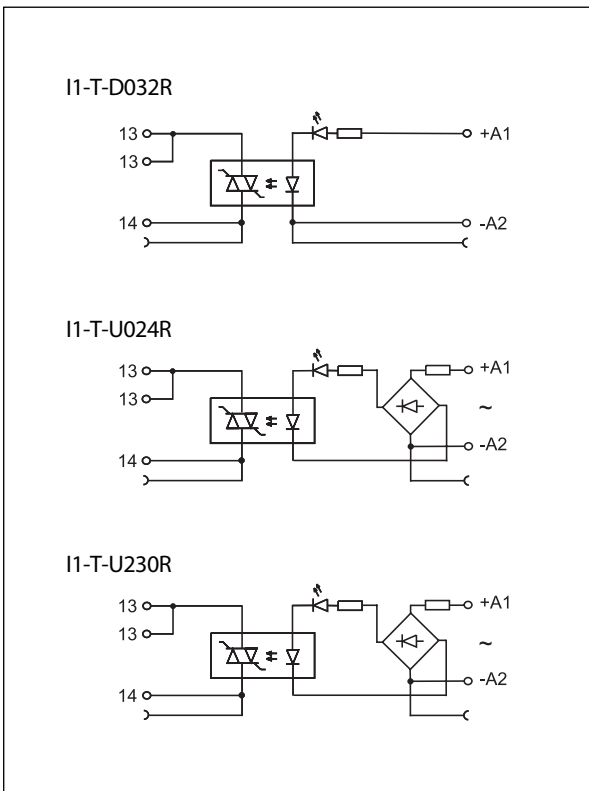
I1-T Triac Output (1.2A 1/NO)

Coil data

Table 2

Part No. □	Rated Voltage (U_n)	
I1-T-D032R □	1.2A/400VAC □	5...32VDC Coil
I1-T-U024R □	1.2A/400VAC □	24VAC/DC Coil
I1-T-U230R □	1.2A/400VAC □	230VAC/DC Coil

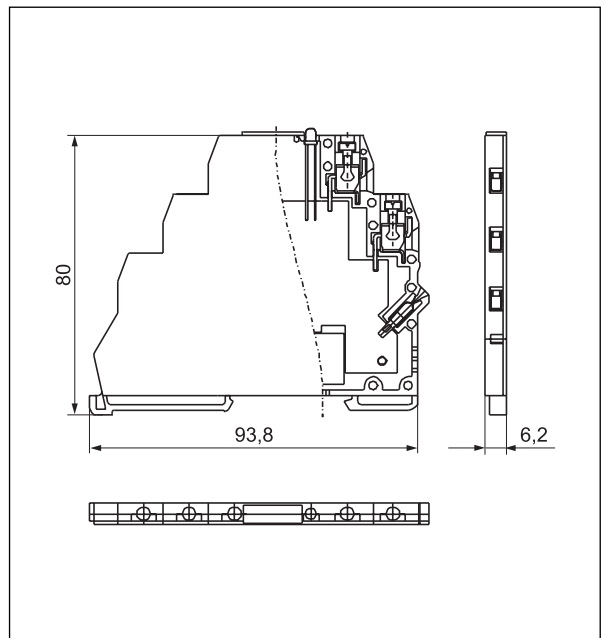
Connection diagrams



Ordering codes

See Input data - Table 2

Dimensions



Mounting

Relays I1-T are designed for mounting on 35 mm DIN rail mount, EN 50022.

Interconnection strip type I1C-20 for bridging of common outputs and inputs available in the following colors: red I1C-20RD, black I1C-20BK and blue I1C-20BL.

