

Interface Relays

I1-OC Transistor Output (500mA 1N/O)

Relays with transistor output up to 500 mA / 70 V DC
 35 mm DIN rail mounting, EN 50022; screw terminals 0.2 - 4 mm²
 Interconnection strips type I1C-20 available



Transistor - output

Max. switching voltage	DC	70 V
Min. switching voltage	DC	5 V
Rated load	DC 1	0,5 A / 70 V DC
Min. switching current		1 mA

Input specifications

Rated voltage	DC	5...32 V
	AC/DC	24-230 V
Turn-off voltage		AC: $\geq 0.2 U_n$ DC: $\geq 0.1 U_n$
Rated power consumption		0,3 W 5...32 V DC at 24 V
		0,3 W/V A 24 V AC/DC
		1,0 W/V A 230 V AC/DC

Insulation

Insulation category	C250
Insulation rated voltage	600 V AC
Rated insulation voltage I/O	3 000 V AC

General data

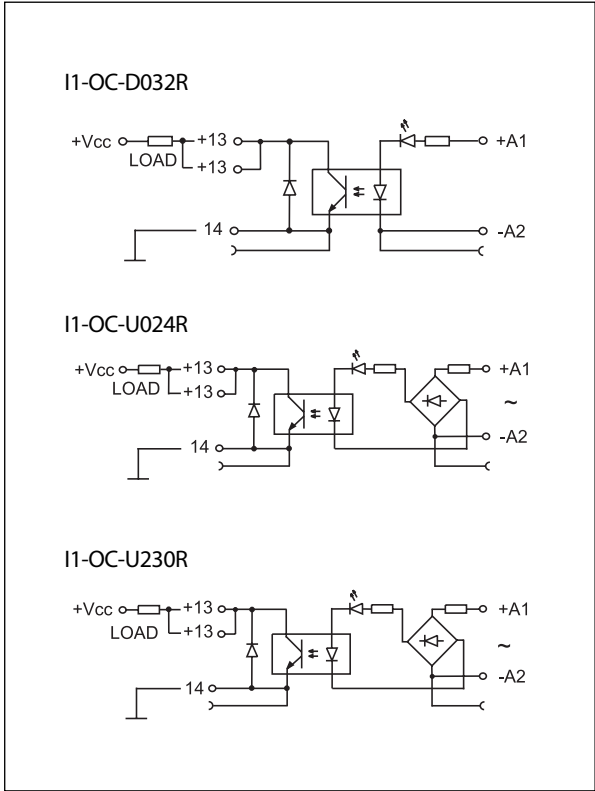
Max. switching frequency	10 kHz	5...32 V DC (for load up to 24 V DC - 15 KHz)
	----	24 V AC/DC
	----	230 V AC/DC
Dimensions (L x W x H)	80 x 6,2 x 93,8 mm	
Weight	40 g	
Ambient temperature:	storing	-40...+70 °C
	operating	-40...+55 °C
Protection category	IP 20	

Interface Relays

I1-OC Transistor Output (500mA 1N/O)

Coil data		Table 3
Part No. □	Rated Voltage (U _n)	
I1-OC-D032R □	0.5A/70VDC □	5...32VDC Coil
I1-OC-U024R □	0.5A/70VDC □	24VAC/DC Coil
I1-OC-U230R □	0.5A/70VDC □	230VAC/DC Coil

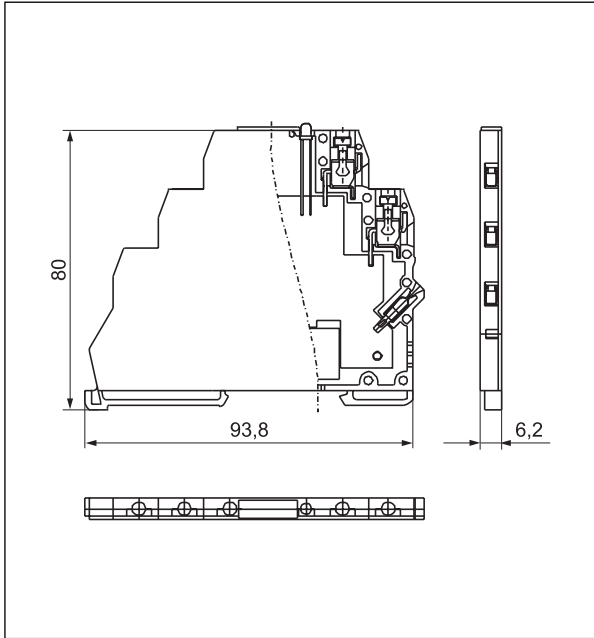
Connection diagrams



Ordering codes

See Input data - Table 3

Dimensions



Mounting

Relays I1-OC are designed for mounting on 35 mm DIN rail mount, EN 50022. Interconnection strip type I1C-20 for bridging of common outputs and inputs available colours of strips: red I1C-20RD, black I1C-20BK and blue I1C-20BL.

