

SPLICER TERMINAL BLOCKS

- Quick mounting and wiring
- IP20 Finger Safe
- DIN Rail or Panel Mount
- No caps to open or remove
- Material
 - Housing: Polyamide
 - Metal Body: Aluminum

38064



38057

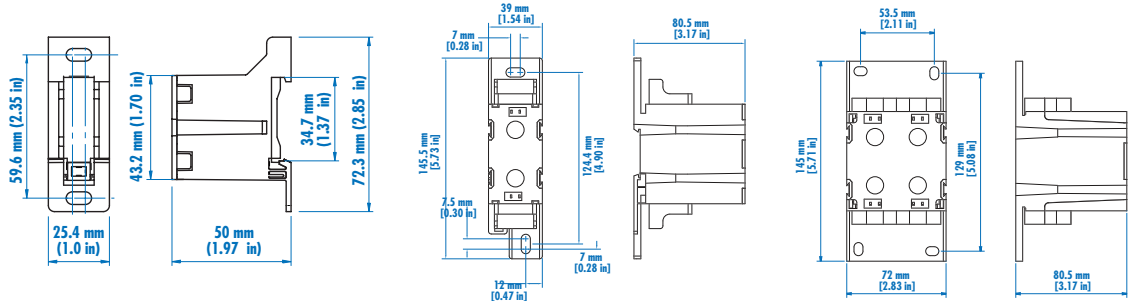


38059



Part Number:	38064		38057		38059	
Approvals	UL File E98082 		UL File E98082 		UL File E98082 	
Current Rating	175A		400A		800A	
Voltage Rating	600V AC 690V AC		600V AC 690V AC		600V AC 690V AC	
No. of Inputs	1		1		2	
Wire Range	14-1AWG 2.5mm ² -50mm ²		6AWG-400MCM 16mm ² -185mm ²		3AWG-600MCM 25-300mm ²	
Torque	106.2lb.-in. 12Nm		221lb.-in. 25Nm		310lb.-in. 35Nm	
Screw Type	Hex 5		Hex 10		Hex 10	
No. of Outputs	1		1		2	
Wire Range	14-1AWG 2.5mm ² -50mm ²		6AWG-400MCM 16mm ² -185mm ²		3AWG-600MCM 25-300mm ²	
Torque	106.2lb.-in. 12Nm		221lb.-in. 25Nm		310lb.-in. 35Nm	
Screw Type	Hex 5		Hex 10		HEX 10	

Dimensions:



UL1059